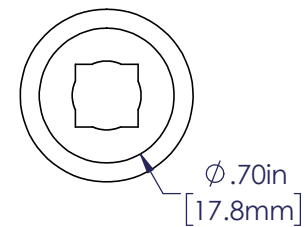
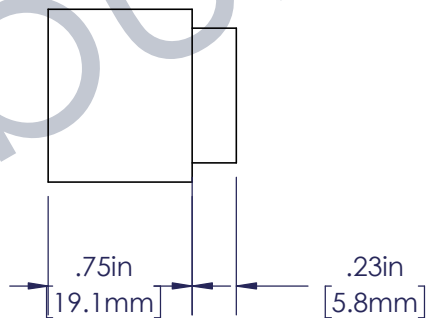
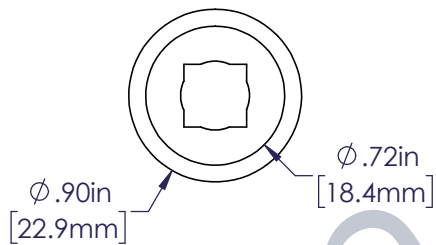


AmesburyTruth



CUSTOMER PAGE

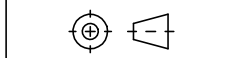

Amesbury TruthTM
 Engineered Solutions. Trusted Results.

THE INFORMATION CONTAINED IN THIS
 DRAWING IS CONFIDENTIAL AND PROPRIETARY.
 THIS DRAWING IS NOT TO BE COPIED OR
 REPRODUCED IN WHOLE OR IN PART WITHOUT
 EXPRESS WRITTEN PERMISSION.

INTERPRET PER:
 ASME Y14.5M-2009

UNITS: INCH

THIRD ANGLE
PROJECTION



DRAWING TITLE:
SENTRY HANDLE EXTENSION

SCALE: 1:1

SHEET 1 OF 1

DRAWING #: **14098**